

RAILING SERIES 100



100

Alumīnija margu sērija Aluminum railing series



Alumīnija margu sērija 100 - konstrukcija ar vertikāliem rēļiem sastāv no segmentiem. Sērijas 100 margas izceļ visas alumīnija materiāla īpašības - viegls svars, ilgmūžīgs un videi draudzīgs risinājums, kā arī tām ir standartiem atbilstoši sertifikāti. Standarta segmenta izmērs ir 2400 mm.

Aluminum railing series 100 – a structure with vertical elements consist of several segments. Series 100 railings bring out the best properties of aluminum material: - lightweight, sustainable, and environment-friendly solution as well as certificates meeting all the standards. The standard segment size is 2400 mm.

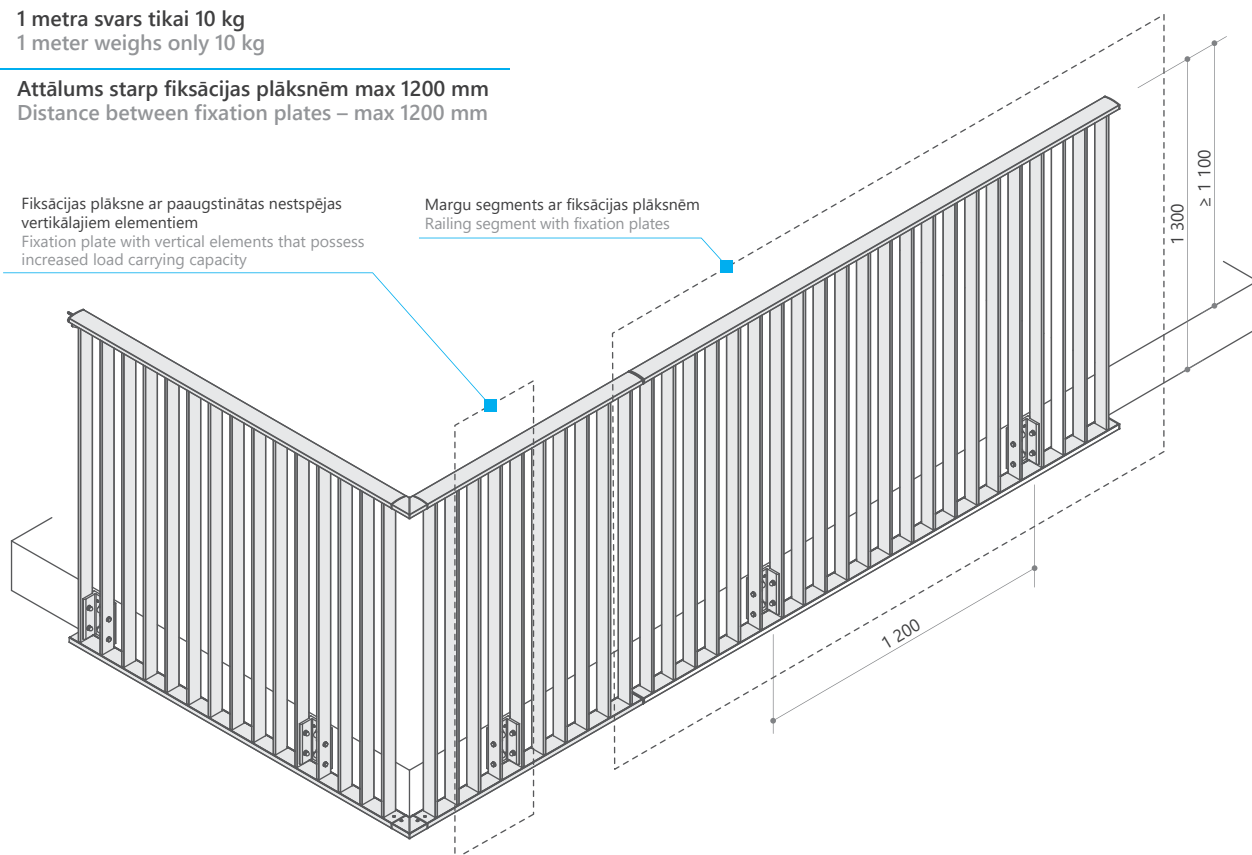
Segments līdz pat 4800 mm
Segment up to 4800 mm

1 metra svars tikai 10 kg
1 meter weighs only 10 kg

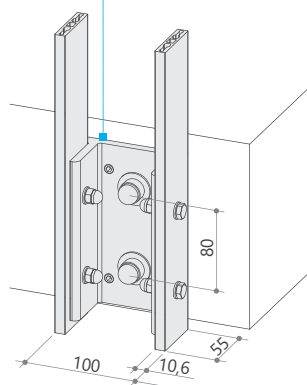
Attālums starp fiksācijas plāksnēm max 1200 mm
Distance between fixation plates – max 1200 mm

Fiksācijas plāksne ar paaugstinātas nestspējas vertikālajiem elementiem
Fixation plate with vertical elements that possess increased load carrying capacity

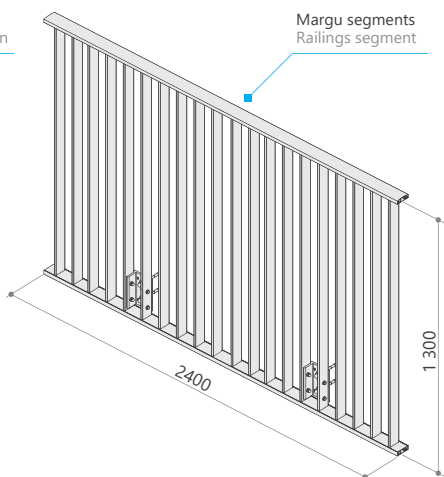
Margu segments ar fiksācijas plāksnēm
Railing segment with fixation plates



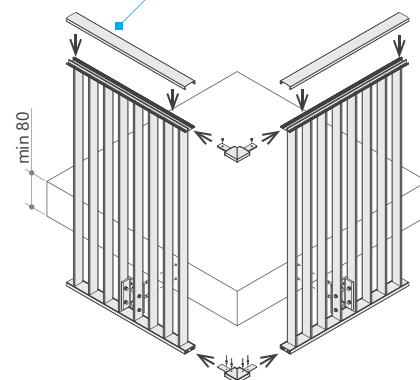
Stiprinājums pie pamatnes sāna
Fixation to the side of the foundation



Margu segments
Railings segment



Stūra fiksācija
Corner fixation



100

Alumīnija margu sērija
Aluminum railing series



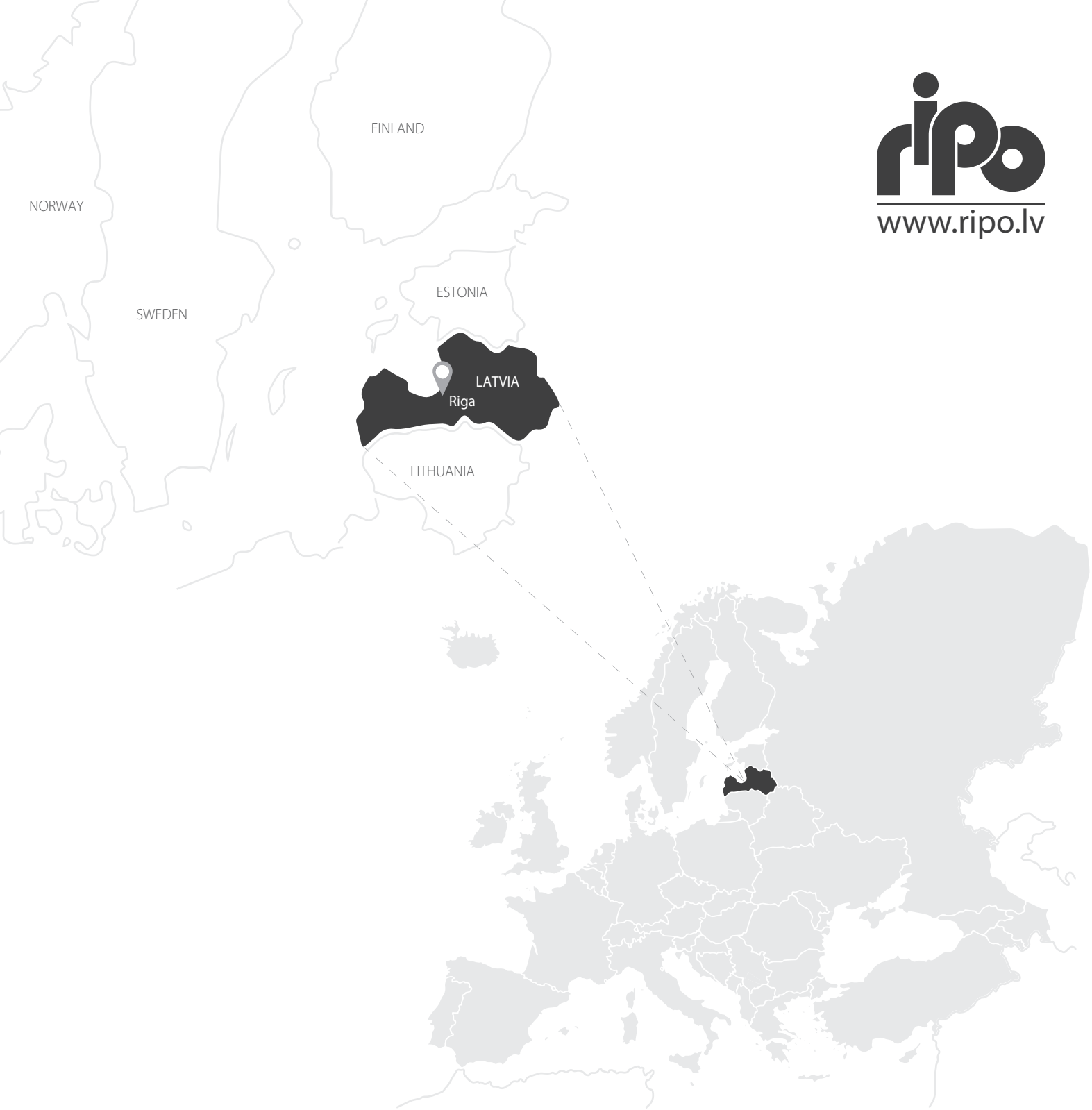
SĒRIJA 100

RIPO alumīnija margu sērija 100 ir vertikālo reliņu sistēma, kas sastāv no segmentiem. Tie būtiski atvieglo un paātrina margu loģistiku un montāžu objektā, saglabājot nemainīgu kvalitāti. Pārdomāta konstrukcija, ilgmūžīgs dizains un teicamas materiāla īpašības. Margu sērija 100 ir efektīvs risinājums liela apjoma projektiem, kur iepriekš minētajam ir sevišķi liela nozīme.

SERIES 100

RIPO aluminum railing series 100 is a system of vertical railings consisting of several segments. These significantly ease and speed up any railing logistic and assembly tasks at the construction site, without compromising constant quality. Thorough structure, sustainable design, and exceptional material properties. Railing series 100 – an effective solution for large-scale projects where the aforementioned factors are especially important.





RIPO is one of the leading manufacturers of railing and balcony glazing systems in Latvia. The company provides full cycle production process from structure design to production in the large industrial premises. RIPO specialists will find the best solutions to your particular situation, implementing all of your intentions either it is private residence or apartment houses. RIPO has been introducing high quality standards in its industry and customer approach since 1993.