

RAILING SERIES 200





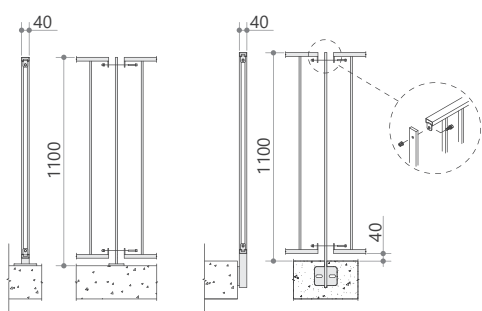
Metāla margas ir izgatavotas no tērauda ar cinka vai krāsas pārklājumu, kas garantē augstu noturību pret ārējās vides nelabvēlīgo ietekmi. 240 un 250 sērijas metāla margu konstrukcija pieļauj daudzpusīgu margu izmantošanu gan privātajā, gan publiskajā sektorā.

Metal railings are made of steel with zinc or paint cover, thus guaranteeing high resistance against environmental impact. 240 and 250 railing series structures are made for versatile use in both private and public sector.

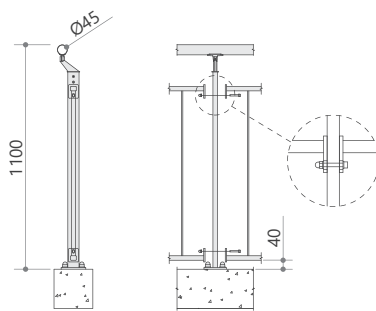
Cinkota metāla margas ilgām ekspluatācijas laikam Galvanized metal railings for long-term service

Ērta segmentu montāža objektā Convenient segment assembly on site

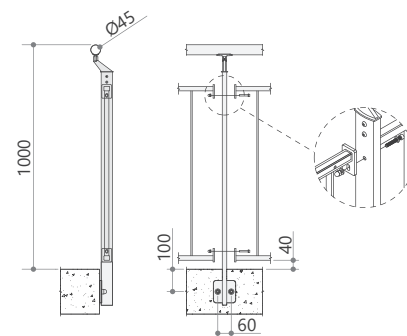
Balstu veidi Types of handrails



Sērija 240
Series 240

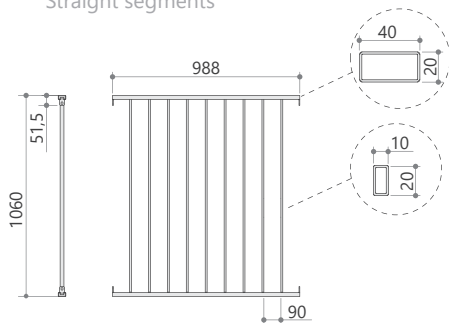


Sērija 250
Series 250

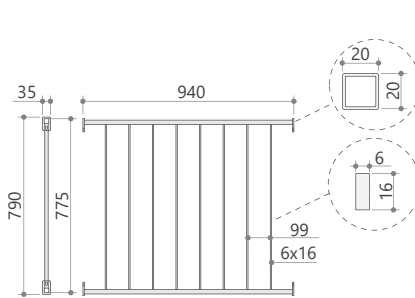


Sērija 250
Series 250

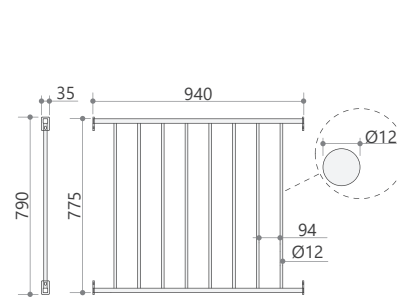
Taisnie segmenti Straight segments



Sērija 240
Series 240

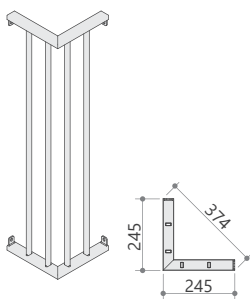


Sērija 250
Series 250

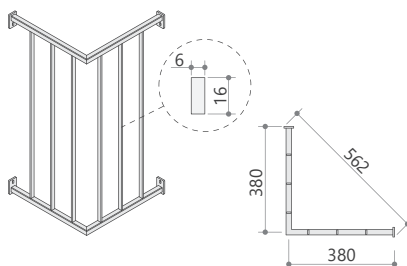


Sērija 250
Series 250

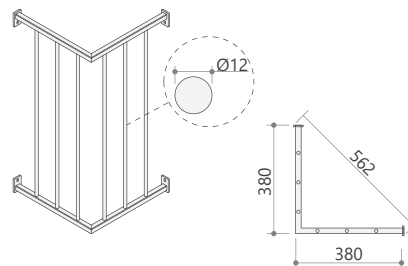
Stūra segmenti Corner segments



Sērija 240
Series 240



Sērija 250
Series 250



Sērija 250
Series 250

200

Metāla margu sērija
Metal railing series



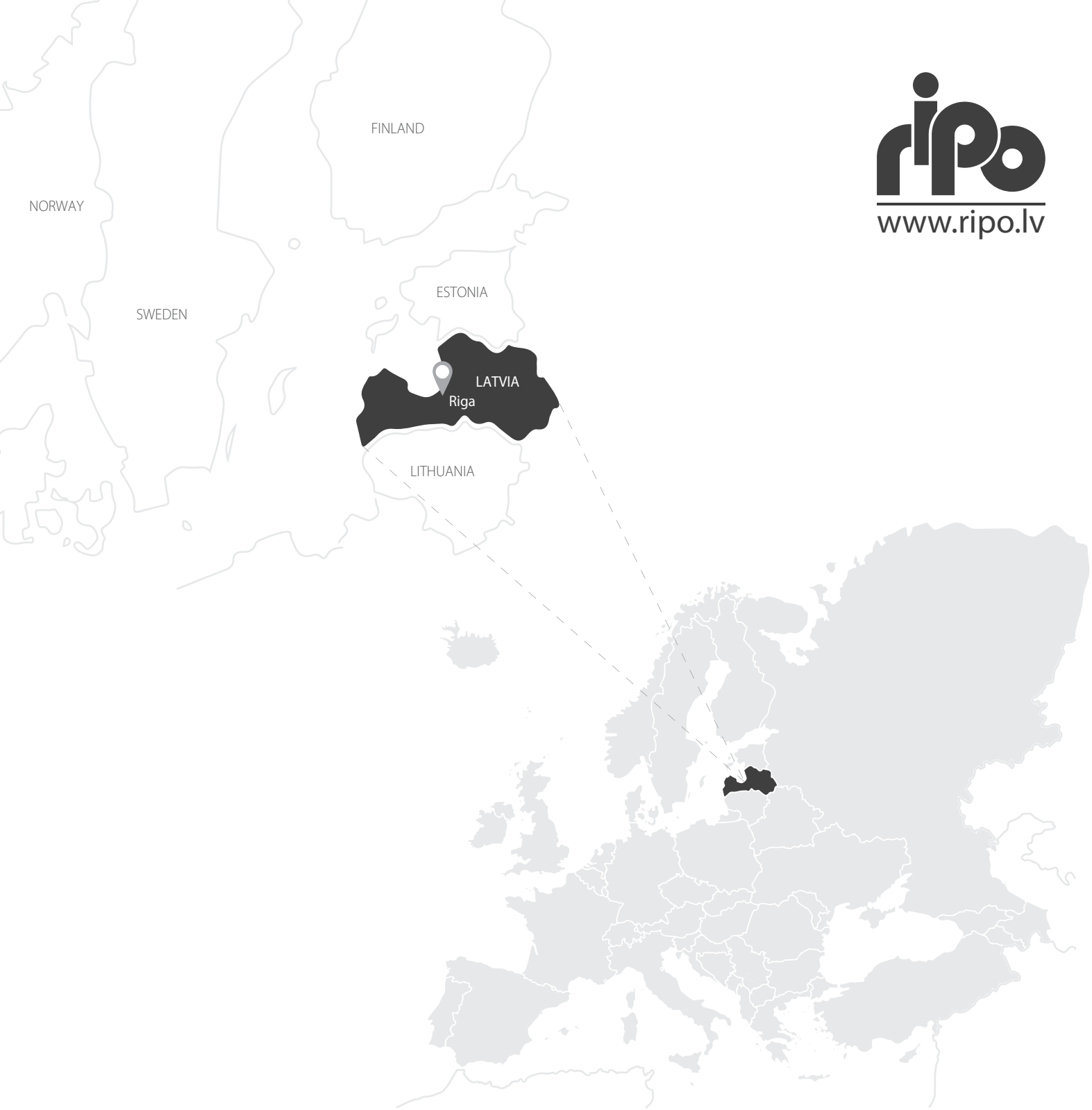
SĒRIJA 200

Askētisks dizains, augsta līmeņa drošība un funkcionalitāte ir metāla margu noteicošie faktori. Metāla margām ir divi segmenti - taisnais segments un stūra segments, kas nozīmīgi atvieglo transportēšanu un montāžu objektā.

SERIES 200

Ascetic design, high-level safety and functionality are the main driving factors of metal railings. Metal railings have two segments – straight segment and corner segment. This significantly eases transportation and assembly on site.





RIPO is one of the leading manufacturers of railing and balcony glazing systems in Latvia. The company provides full cycle production process from structure design to production in the large industrial premises. RIPO specialists will find the best solutions to your particular situation, implementing all of your intentions either it is private residence or apartment houses. RIPO has been introducing high quality standards in its industry and customer approach since 1993.