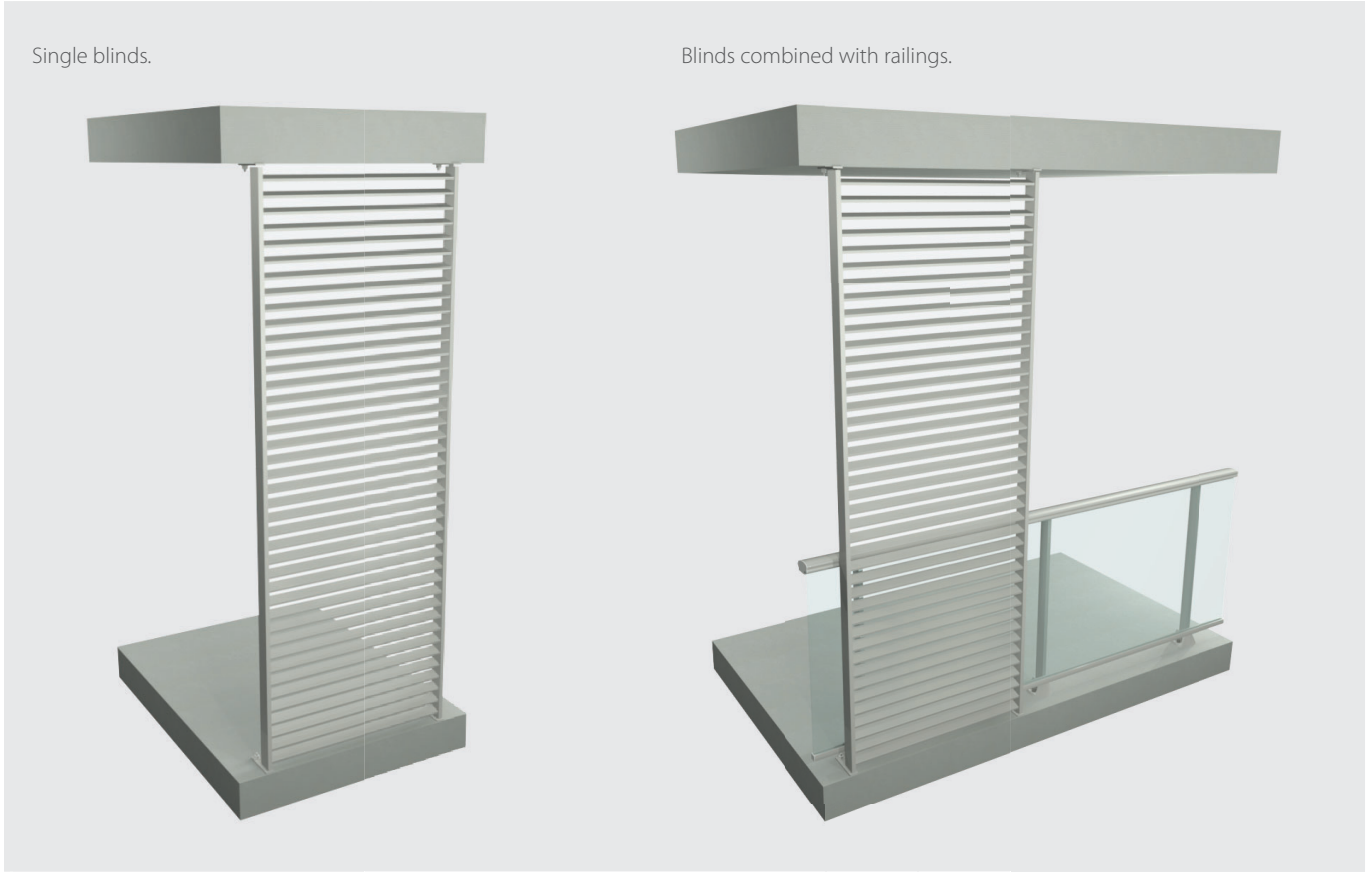


# RAILING SERIES 800

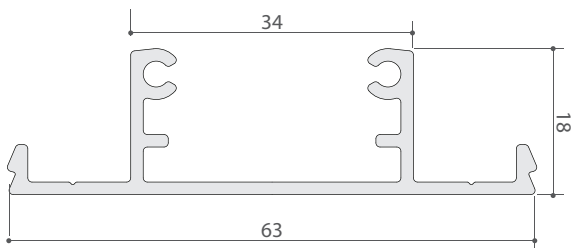


## RAILING SERIES 800

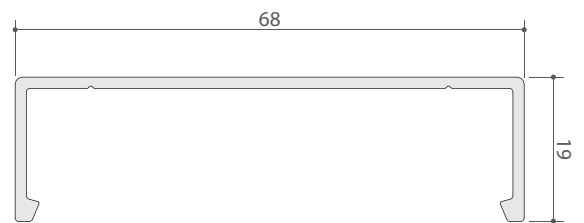
RIPO aluminium blinds - railing series 800. Solution is suitable for integration into apartment house projects, on balconies and terraces as an independent module or as an additional element for railings. Long-term investment that protects the enclosed area from direct sunlight and also adds extra attractiveness to architecture. Individual blinds solutions and combinations with different RIPO railing models are available.



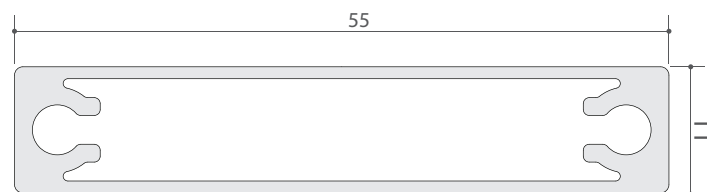
### DIFFERENT TYPES OF PROFILES



Rail profile, AS



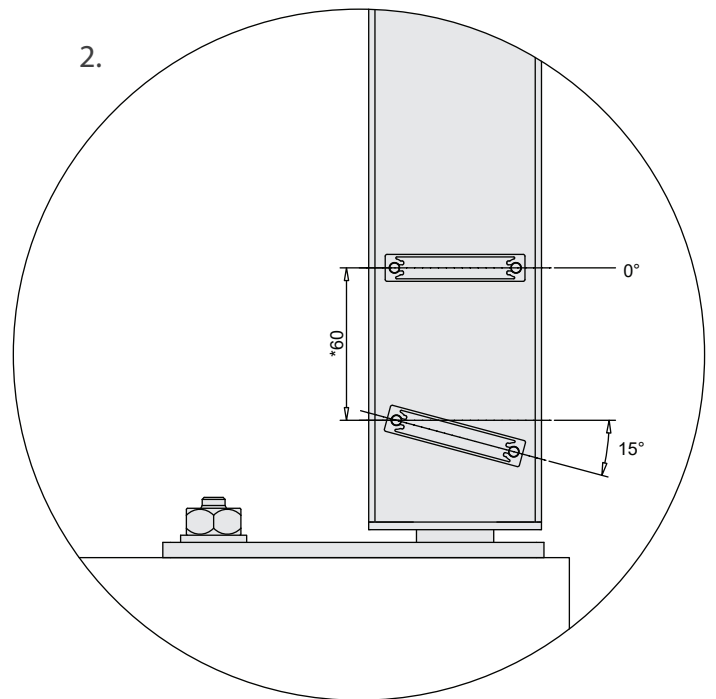
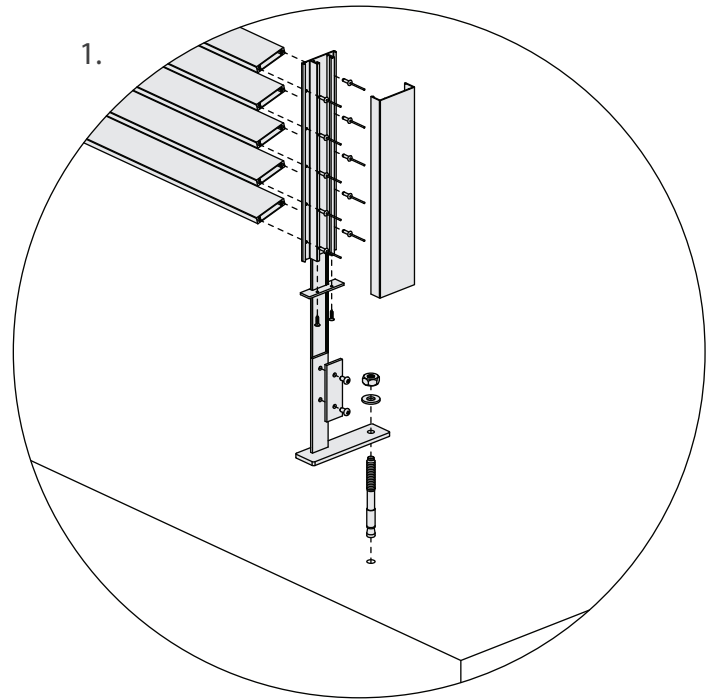
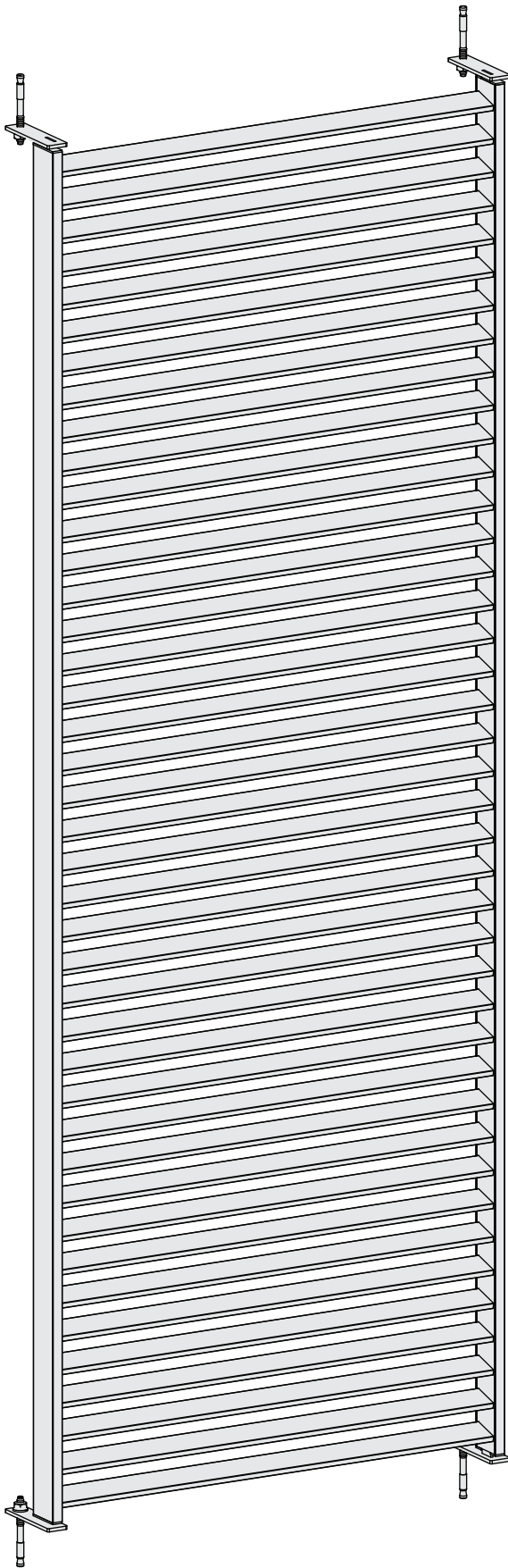
Bottom cover profile, AS



Baluster profile, AS



# CONSTRUCTION



1. Construction and fixation.

2. Distance between blinds 60\* mm. Standard blinds angle 0° - 15°.

\* Distance between blinds may vary depending of project.









RIPO is one of the leading manufacturers of railing and balcony glazing systems in Latvia. The company provides full cycle production process from structure design to production in the large industrial premises. RIPO specialists will find the best solutions to your particular situation, implementing all of your intentions either it is private residence or apartment houses. RIPO has been introducing high quality standards in its industry and customer approach since 1993.